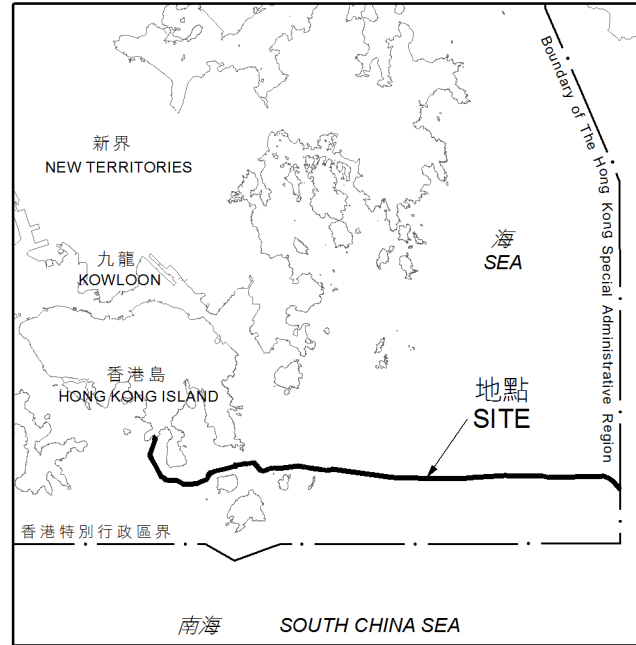
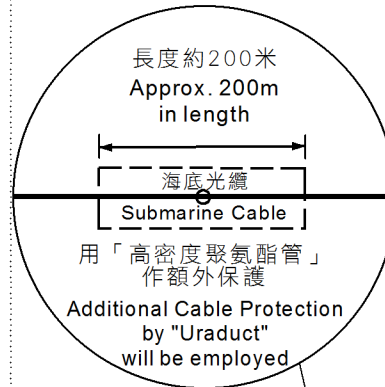
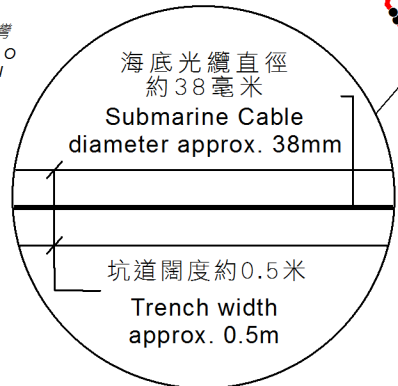
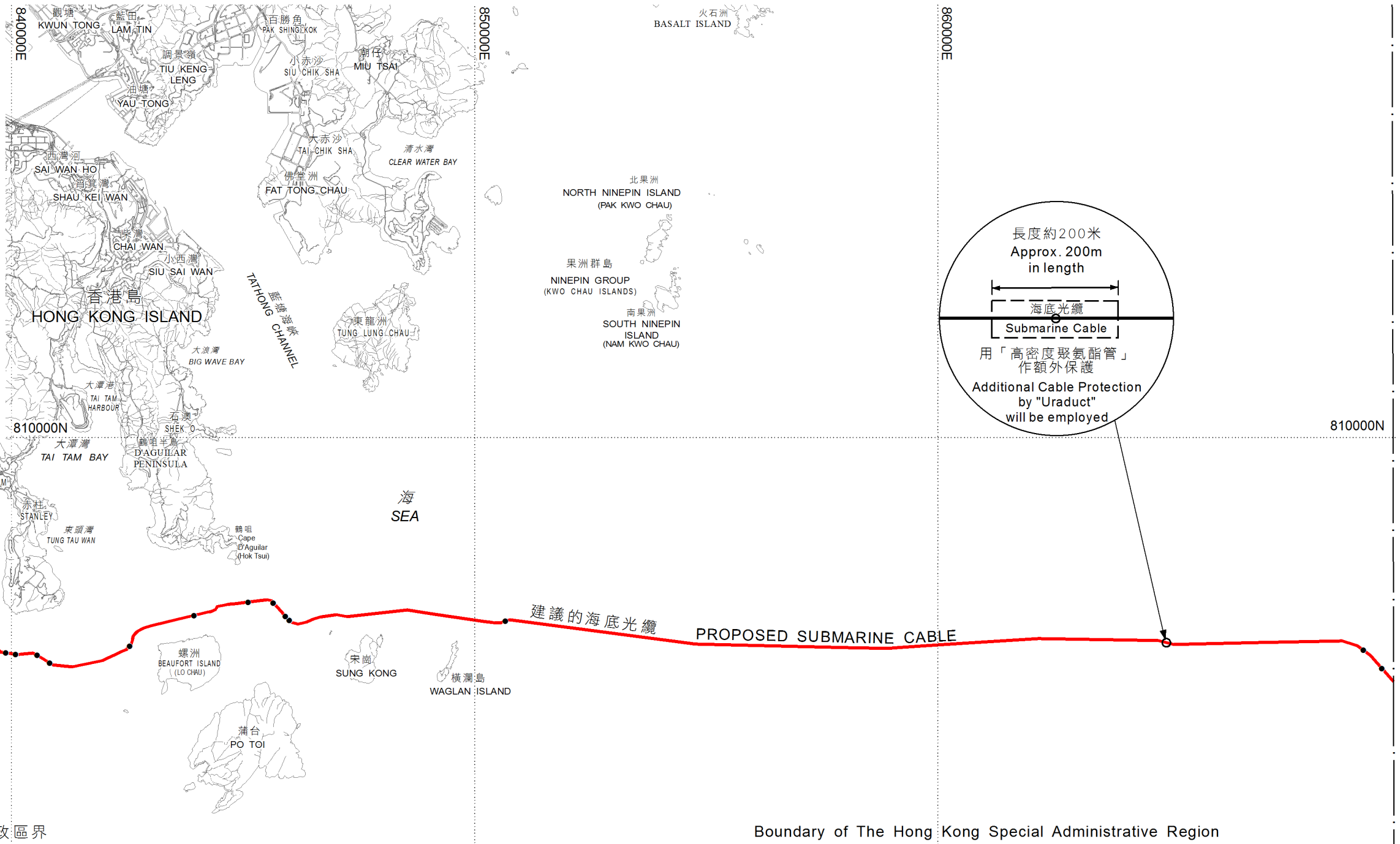


位置 LOCATION



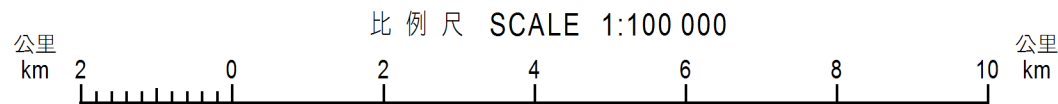
比例 SCALE 1:500 000



圖例 LEGEND

- 受影響的前濱及海床範圍  
FORESHORE AND SEA-BED AFFECTED
- 建議的光纜與現有光纜相交處  
CROSSING POINT OF THE PROPOSED CABLE WITH THE EXISTING CABLES
- 建議的光纜與現有輸氣管道相交處  
CROSSING POINT OF THE PROPOSED CABLE WITH THE EXISTING GAS PIPELINE

以粗紅線標示的面積約為1.73公頃  
BOLD RED LINE AREA 1.73 HECTARES (ABOUT)



已簽署 Signed  
副署長 (專業事務) Deputy Director / Specialist  
日期 Date: 14 / 12 / 2021  
地政總署  
Lands Department  
圖則由港島測量處繪製  
Plan Prepared by District Survey Office, Hong Kong  
© 香港特別行政區政府 版權所有 Copyright reserved - Hong Kong SAR Government

前濱及海床(填海工程)條例(第127章)  
建議由春坎角至香港特別行政區東面邊界鋪設亞洲直達國際海底光纜—香港段  
FORESHORE AND SEA-BED (RECLAMATIONS) ORDINANCE (CHAPTER 127)  
PROPOSED ASIA DIRECT CABLE SYSTEM - HONG KONG SEGMENT (ADC-HK)  
FROM CHUNG HOM KOK TO THE EASTERN BOUNDARY OF  
THE HONG KONG SPECIAL ADMINISTRATIVE REGION

檔案編號 File No. DLO/HS L/M SH-226 (PP)  
底圖編號 Base Map No. HM100C  
發展藍圖編號 Layout Plan No. --  
參考圖編號 Reference Plan No. 7076763 - ADC-FSRO\_Alignment\_v2.dgn (SMC ASIA LIMITED)  
圖則編號 PLAN No. HKM10685