

比例 SCALE 1:500000



以粗紅線標示的面積約為1.75公頃

BOLD RED LINE AREA 1.75 HECTARES (ABOUT)

比例尺 SCALE 1:100 000

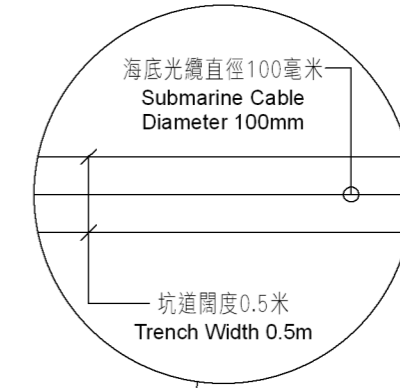
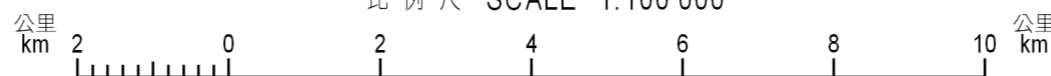
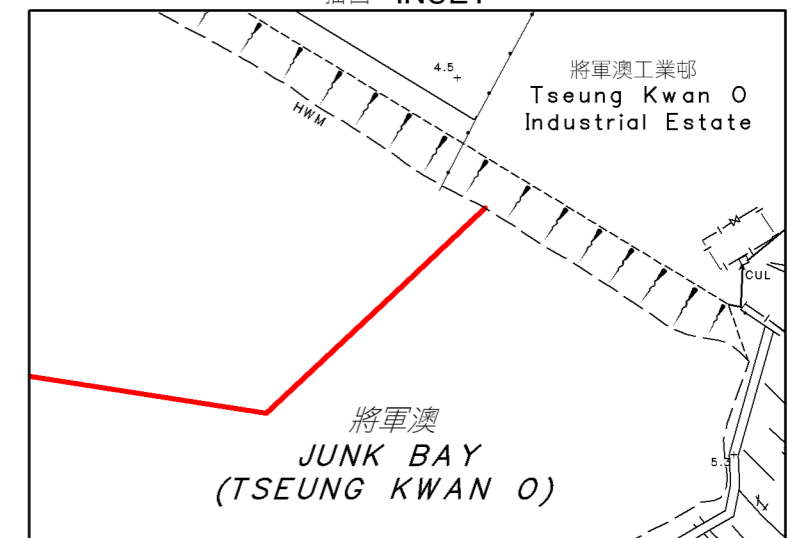


插圖 INSET



比例 SCALE 1:1 000

圖例  
LEGEND

- 受影響的前濱及海床  
FORESHORE AND SEA-BED AFFECTED
- 擬建的海底光纜與現有管道及光纜的交匯點  
INTERSECTING POINT OF THE PROPOSED SUBMARINE CABLE AND EXISTING PIPELINES AND CABLES

(SIGNED)  
C. S. Mills

副署長(專業事務) Deputy Director / Specialist  
日期 Date: 05 / 05 / 2014

地政總署  
Lands Department

圖則由西貢測量處繪製  
Plan Prepared by District Survey Office, Sai Kung

© 香港特別行政區政府 一版權所有 Copyright reserved - Hong Kong SAR Government

前濱及海床(填海工程)條例(第127章)  
建議由將軍澳至香港特別行政區東面水域邊界敷設APG海底光纜系統  
FORESHORE AND SEA-BED (RECLAMATIONS) ORDINANCE (CHAPTER 127)  
PROPOSED ASIA PACIFIC GATEWAY  
FROM TSEUNG KWAN O TO THE EASTERN BOUNDARY OF  
THE HONG KONG SPECIAL ADMINISTRATIVE REGION WATERS

檔案編號 File No. L/M(1) TO DLO/SK SK/SP 43

地圖編號 Map Sheet Nos. 11, 12, 15, 16 & 20  
(組別 Series HM20C/2)

發展藍圖編號 Layout Plan No. -----

參考圖編號 Reference Plan No. Figure A

圖則編號 PLAN No. SKM8520a

日期 Date: 28/04/2014